

# DLT-V72 Series Data Sheet



## Rugged, X86-based Vehicle Mount Terminal

- 10.4" or 12.1" color displays for various host applications and user interaction requirements
- Abrasion-resistant touchscreen
- Large temperature range to handle cold storage and hot, humid environments
- Rugged IP66 and 5M3 shock and vibration certifications for the complete system
- Uninterruptible power supply (UPS), optional
- Optional screen defroster - ideal for cold chain and cold storage applications

The DLT-V72 is a rugged vehicle mount terminal designed for maximum uptime and logistics - meeting a wide temperature range from hot and humid to cold freezer environments - whether dry or intense humidity. The integrated Advantech-DLOG low profile antenna solution combines excellent high transmission quality in a smaller, driver-friendly size. The touchscreen provides for easy operator input, even when wearing gloves in harsh environments.

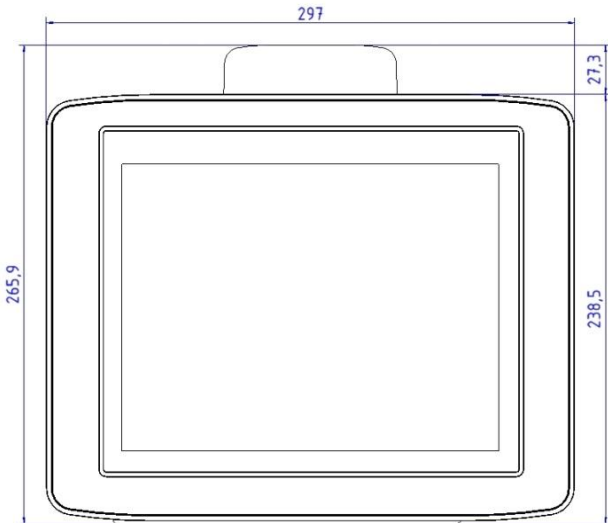
## Specification

System	CPU Mass storage memory DLT-V7210	Intel® ATOM™ E3845 Quad Core 1.91 GHz with 4 GB RAM 4 GB CFast or more
Dimensions/Weight	DLT-V7212	Width x height x depth in mm: 297 x 238,5 x 67 (11.7" X 9.4" X 2.6") 3.7 kg (without battery pack/antenna/accessories) (8lbs., 2 oz.) Width x height x depth in mm: 335 x 267 x 69 (13.2" X 10.5" X 2.7") 4.65 kg (without battery pack/antenna/accessories) (10 lbs., 4 oz.)
Housing		Completely sealed, fanless design, coated aluminium
Display	DLT-V7210 DLT-V7212	Color-TFT 10.4" XGA 1024 x 768, 400 cd/m <sup>2</sup> Color-TFT 12.1" XGA 1024 x 768, 500 cd/m <sup>2</sup>
Screen defroster		Screen defroster for devices with resistive touchscreen, optional
Touchscreen		Highest impact touchscreens in two options: - Resistive touchscreen, also with defroster option - Projective capacitive touchscreen (PCT), multi-touch
Front keys		10 front keys
Software	Operating systems Emulations (third-party)	MS-Windows® 10 IoT Enterprise, MS-Windows® 7 Professional MS-Windows® Embedded 8.1 Industry Pro, WE7, WE8S Linux - based on Debian, IGEL Linux Android VT100, VT220, IBM 5250, TN 3270, Citrix Client®, Freefloat Access One
Communication	Wi-Fi LAN WPAN	Wi-Fi IEEE 802.11 a/b/g/n, optional Ethernet 10/100/1000 MBit/s Bluetooth, optional
Interfaces	Serial USB RSMA	2 x RS-232; COM1 optionally switchable 5 VDC / RI 4 x USB 2.0 (HI-SPEED™), bootable; 1 x Service USB 3.0 (SUPER-SPEED™) 1 x RSMA for external antenna (Wi-Fi), optional
Audio/Voice		Speaker integrated
Power supply (internal)		12/24/48 VDC nominal voltages Automatic switch-on/switch-off function via vehicle ignition UPS, optional (typically 20 min); battery-life time may vary depending on use case
Environmental	IP protection class Operating temperature Relative humidity Shock/Vibration Shock resistance touchscreen	IP66 for the complete system -30 to +50 °C (-22 to +122 °F) 10 to 90% at 40 °C, non condensing Class 5M3 according to EN 60721-3-5, US Highway Truck as MIL-STD 810F IK 08
Approvals		EU, USA: CE Immunity Class A, Emission Class B / FCC Class B Taiwan: BSMI / NCC Japan: MIC / VCCI China: CCC / SRRC

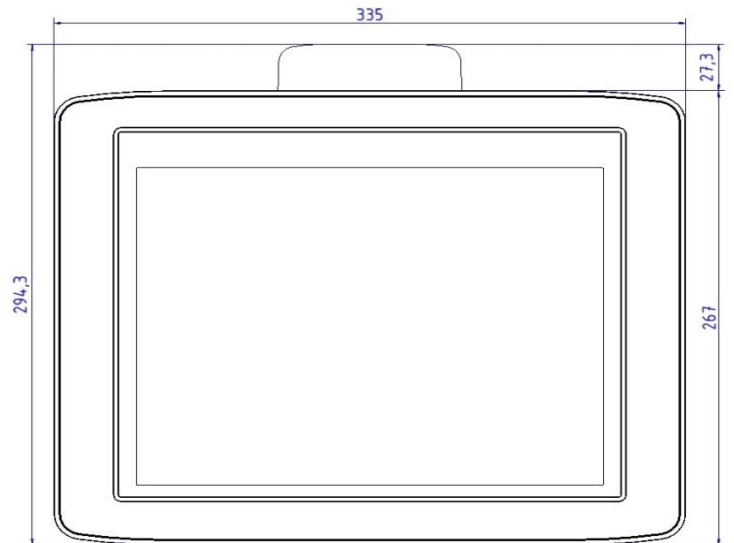
Data sheet V1.30 © by DLOG GmbH 04/2017. Information is subject to change. Product names are in most cases also registered trademarks and are thus subject to law.

# DLT-V72 Series

## Dimensions (in mm)

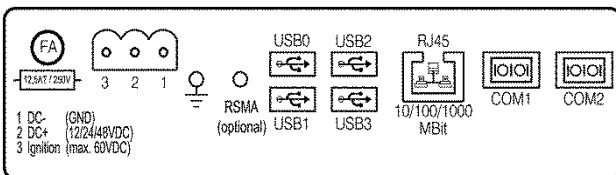


DLT-V7210

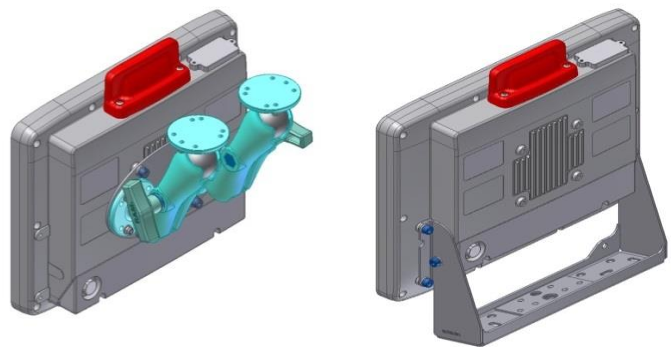


DLT-V7212

## Connectors



## Mounting Variants (Selection)



## Advantech-DLoG Partner Contact

## Accessories

- Scanners with mountings
- Keyboards with mountings
- Stylus with mountings
- Terminal mountings (wide range of mounting brackets, RAM solutions)
- USB Recovery Stick